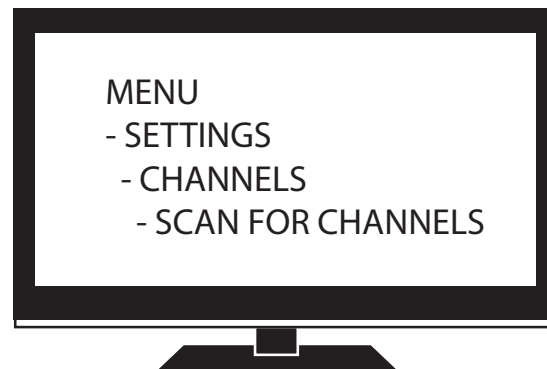


Don't forget to Scan for Channels

Auto Scan or Channel Scan is a necessary process that you must run on your HDTV or converter box before you start receiving channels.

Make sure you are scanning for TV Antenna (ATSC) and NOT Cable TV (QAM). Scanning for cable stations will bring up partial or no channel list.



For Troubleshooting, Videos and Tips Go To:
www.XtremeSignal.com/hdb4x

180 DAY LIMITED WARRANTY

This Xtreme Signal product is hereby warranted against defects arising from faults in materials or workmanship for a period of 180 (one hundred and eighty) days starting from the original date of purchase. Neither Solid Signal, Xtreme Signal, nor Signal Group LLC will honor a warranty claim unless accompanied by original proof of purchase. All warranty claims must be made to a Solid Signal authorized dealer or directly to Solid Signal. In the case that the dealer involved in the purchase of your antenna is unavailable or unknown, contact Solid Signal at 25225 Regency Drive, Novi MI 48375, either by phone at 877.697.4462 or via info@solidsignal.com.

This product warranty covers only the parts originally included in the package and includes neither the cost of shipping, removal or installation, nor any parts purchased ancillary to this sale for the purpose of installation. If this product is damaged or fails in any way due to having been improperly installed, abused or neglected or due to any accidental or intentional tampering with the product as manufactured, this warranty shall be void. If this product is damaged due to acts of nature or corrosion caused by environmental factors (such as salt spray or acid rain) this warranty shall be void.

Should this product require warranty replacement, the customer shall be responsible for all shipping and handling charges required to return the product to a Solid Signal dealer. At its option, Solid Signal or a Solid Signal authorized dealer shall repair or replace this product and return it to the customer with no additional freight charges due.

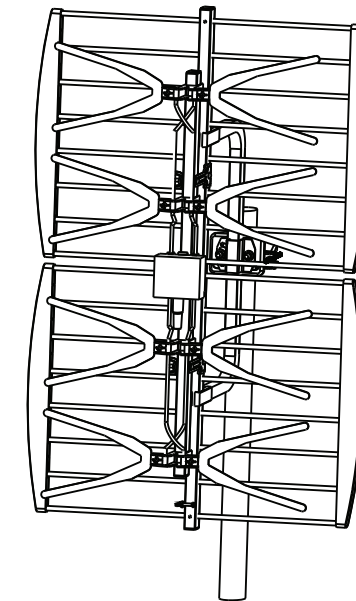
This warranty policy is the sole warranty for this product. Neither Solid Signal nor its authorized dealers shall be responsible for enforcement of any other warranty either express or implied made by any other entity. Express, Implied, or Statutory Warranties including warranties of fitness to a particular purpose or merchantability are limited to this single 180-day warranty. This warranty is the sole and exclusive remedy for any customer, whether in contract, tort, or otherwise. Neither Solid Signal nor its authorized dealers shall be liable for any damage or loss, whether incidental or consequential, except as set forth above. Commercial loss shall not be covered except as set forth above.

This warranty is enforceable to the extent that it is not superseded by local or state law. Consult with local authorities for any specific legal rights which may apply to your jurisdiction.

HDB4X

Xtreme Series HD Antenna

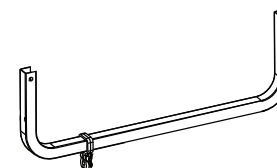
Assembly and Installation Manual



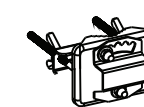
Regardless of where you bought this antenna
CALL SOLID SIGNAL FOR SUPPORT
1.877.697.4462

What's Included

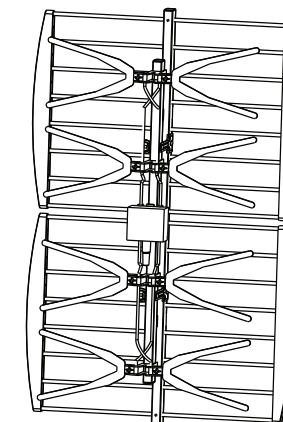
(1) Mounting Brace



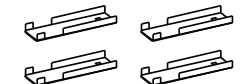
(1) Mast Clamp



(1) Antenna



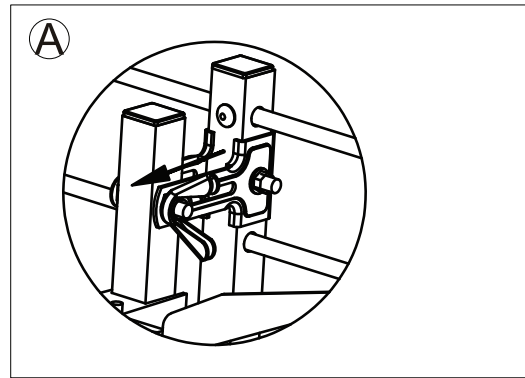
(4) Clamps



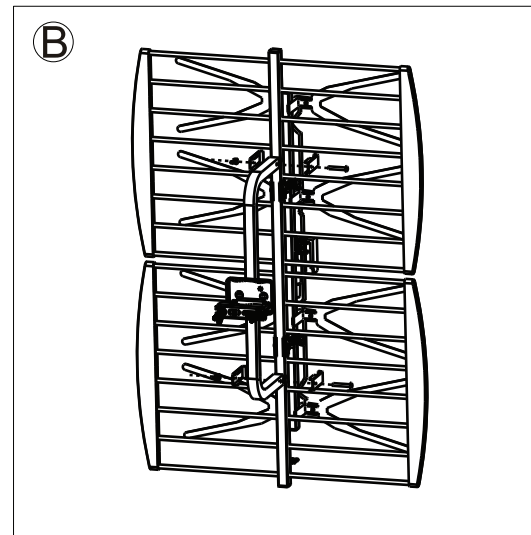
(1) Weather Boot



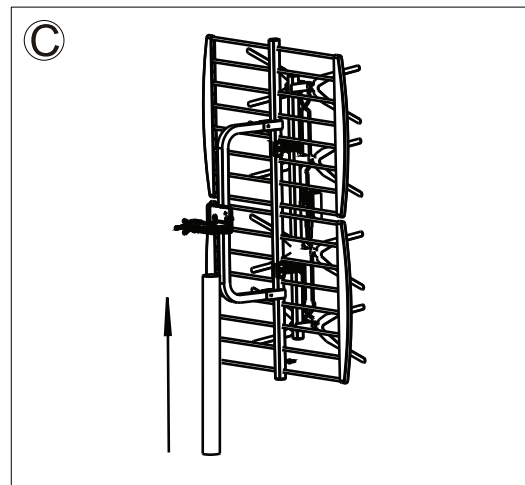
ASSEMBLY INSTRUCTIONS



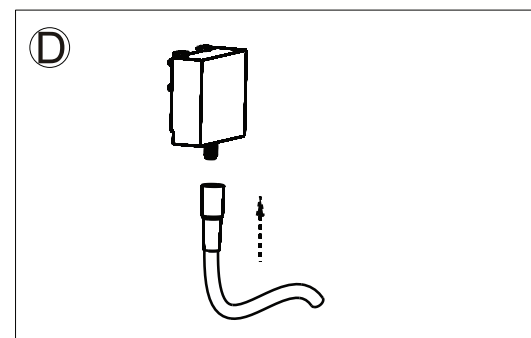
Extend the front section of the antenna out, by loosening the wing-nuts on both brackets to create a separation, and then tighten them back down.



Attach the mounting bracket to the antenna using the attached wing-nuts and bolts.



To fast the antenna to a mast, tighten down the U-bolt over the mast. This bracket is compatible with masts up to 2" outer diameter.



Slip the weatherboot over cable and screw on to the F-connector on the antenna.

Antenna Placement for Best Signal

Antennas rely on line of sight, so to get the best performance place the antenna where it has a clear view. An obstruction like a building or hill immediately in front of the antenna reduces signal more than a building down the street. Try and avoid placing the antenna within 3 feet of any metal objects that could interfere with reception.



If you live in a valley or have obstructions, try and put the antenna up higher to compensate for signal loss.

Being at an elevated position can be helpful for antenna reception.

Installing an antenna in the attic makes it less effective and may require you to use a larger antenna

WARNING

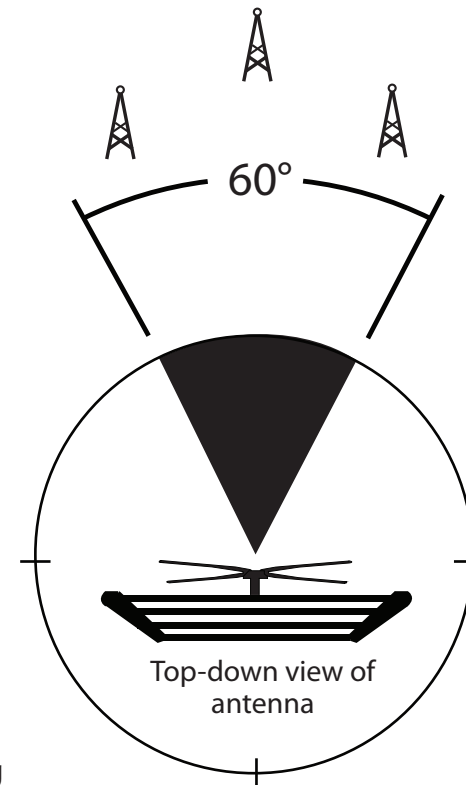
RISK OF ELECTROCUTION

Every year people are injured or killed from antennas or mast making contact with overheard power lines. Be sure to check mounting site to ensure there is no risk of antenna touching a power line.

Always be aware, and use caution when going up on a roof. Besides the risk of falling, the electrical shock that comes from contacting a power line with your antenna or mast is equal to being struck by a bolt of lightning

Aiming your Antenna

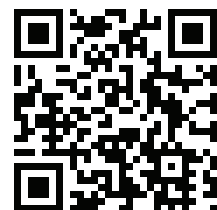
This antenna picks up approximately 60° wide out of 360°. Aim the antenna to face the center of the group of stations you are trying to receive.



If you are having trouble getting a particularly weak channel, you can try pointing the antenna directly at the compass heading. This information is available from sites like www.antennaweb.org

Grounding

Please check your local electrical code for grounding requirements. Outdoor antennas should be grounded. Call Solid Signal today or visit solidsignal.com for a selection of grounding blocks and grounding accessories.



Having trouble?



Watch a Video of the assembly by scanning this QR Code

Or go to www.xtremesignal.com/hdb4x

Tel 1.877.697.4462
www.xtremesignal.com

www.xtremesignal.com by Solid Signal

Tel 1.877.697.4462